

# TABLETOP SYSTEMS

## Fine scratch marking

MC2000 N (75x15)

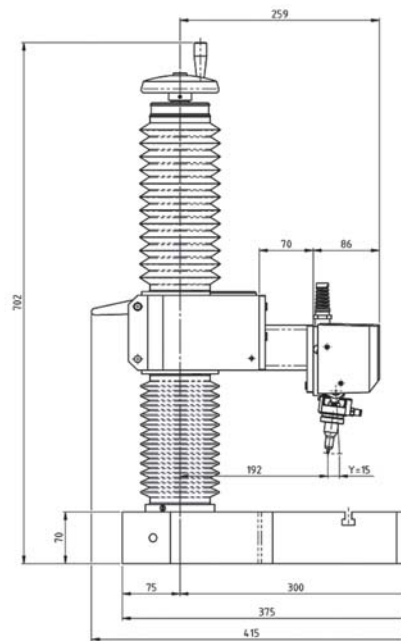
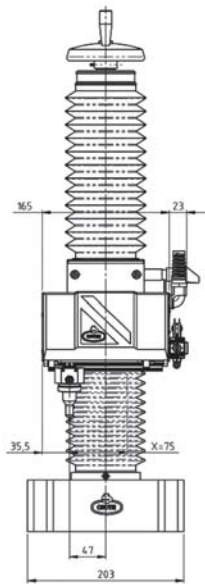
*Super Fast*



A tabletop model supported on column, with tool-holder or stand option.

High-speed, silent, high-quality marking of all kinds of materials.

Reliable, robust and low-maintenance.



## Technical Features

- 75 x 15 mm marking area
- High-speed scratch marking.
- 2-metre control cable (made-to-measure option available)
- 6 bar air pressure
- Connection with T2 control (See control specifications)
- Wide range of characters from 1 to 48 mm. Anagrams, logotypes, etc.
- PC Editing Program





## MC 2000T<sup>2</sup> CONTROLLER

MC 2000T<sup>2</sup> is the latest generation electronic controller for all MC2000 marking machines. The MC 2000T<sup>2</sup> controller embodies the best features of all previous COUTH control units and incorporates cutting-edge technology improvements. That makes it the most powerful and flexible tool of its kind in the market.

Its new vectorial-definition based marking system makes it possible to mark any kind and size of character and logo without losing resolution.

## Technical Features

- Stand-alone unit. No PC required for its operation.
- Controller suitable for any COUTH marking system.
- Pneumatic or electromagnetic drive according to mechanics.
- Graphic menus for easier use.
- Multi-language menus.
- Vectorial marking without losing resolution whatever the size.
- Straight, oblique, arc and symmetrical marking capabilities.
- Marking of serial numbers, prior setting of range and recurrence, shifts, time, date, week...
- Marking of logos and special characters.
- Marking of 2D DataMatrix coding.
- Choice of fonts. Possibility of creating customised fonts.
- Adjustable character compression, expansion, spacing, italic writing and dot density.
- Adjustable speed and impacting force.
- Plug-in or built-in Start/Stop push-button box.
- Slave mode of operation with PC or PLC.
- RS232 series interface, adaptable to RS485, Ethernet, Profibus...
- 11 input signals and 7 output signals, all programmable for connection to PLC.
- Socket for external keyboard connection.
- Socket for barcode or DataMatrix code reader connection.
- Connector for plate feeder, rotating devices, jogging systems...
- 40-line files (75 characters/line)
- Storage of up to 500 files
- PC-compatible SD Card for storage and transfer of settings, files, logos...
- RoHS standard compliant SMD technology. - Complies with CE mark European Directive.
- Power supply: 110/220V, 50/60Hz.
- 120mmx90mm, 320x240 pixel grey scale display.
- Dimensions (width x height x depth -mm-) 280x160x261.
- Weight: 5.450kg



Carabel Txiki s/n - Apdo. 30, 20120 HERNANI - SPAIN  
 Tfno.: +34 943 556 412 Fax: +34 943 555 262  
 E-mail: [couth@couth.com](mailto:couth@couth.com)  
[www.couth.com](http://www.couth.com)



ER-1842/2005

ISO 9001:2008