

**DOT 50x17 P
SUPERFAST**

**DOT 50x25 P
SUPERFAST**



PORTABLE · DOT PEEN MARKING

- Portable dot peen marking unit with **maximum speed**, especially designed to mark pieces in any area and position.

ADVANTAGES

- **Maximum marking speed**, for all kinds of materials and hardnesses up to 62HRC.
- Its **easy-to-disassemble** protective system **reduces maintenance times**.
- Maximum reliability, **uninterrupted productions, and reduced maintenance costs**.
- Highly robust and long-lasting, thanks to the high quality of its components.
- Circular connector to facilitate assembly and disassembly. Possibility of 90-degree rotation.
- COUTH brand is backlit with two-colour LED, providing **visual identification of the marking machine's status**.
- May be purchased with window kit, increasing the machine's support of the part, guaranteeing **higher marking quality**. (Code 2274550)

CHARACTERISTICS

- 50 by 17 mm marking area.
- 50 by 25 mm marking area.
- Speed up to 16 characters/second.
- Hardness of materials to mark up to 62HRC.
- 6-bar air pressure.
- Different head types, depending on marking needs: pneumatic (N7SB, N10SB, N14SB, N20SB) and electric (S2, S6).
- Protection system that is easy to assemble and disassemble.
- 5-metre robotics wire.
Other lengths: 10 and 15 metres.
- Marking alphanumeric codes, logotypes, DATAMATRIX™, QR codes, etc.
- Built-in support; point or window option, depending on the piece to mark.
- Connection with **COUTHsmartbox** control for integration into production lines (see technical specifications for more information).
- PC edition programme:
 - **COUTHvector**, logotype creation.
 - **COUTHedit**, marking file creation.
 - **COUTHmonitor**, machine status monitoring.
- **COUTHlink**. Library to facilitate connectivity between COUTH smartbox and the production line PLC.

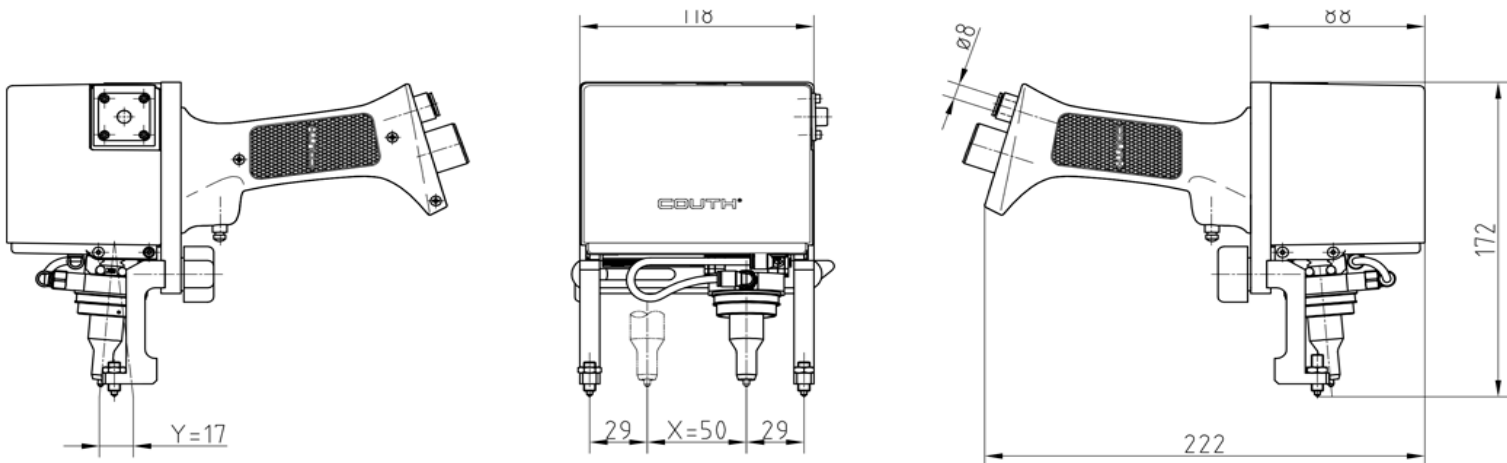
DOT 50x17 P SUPERFAST

PORTABLE · DOT PEEN MARKING

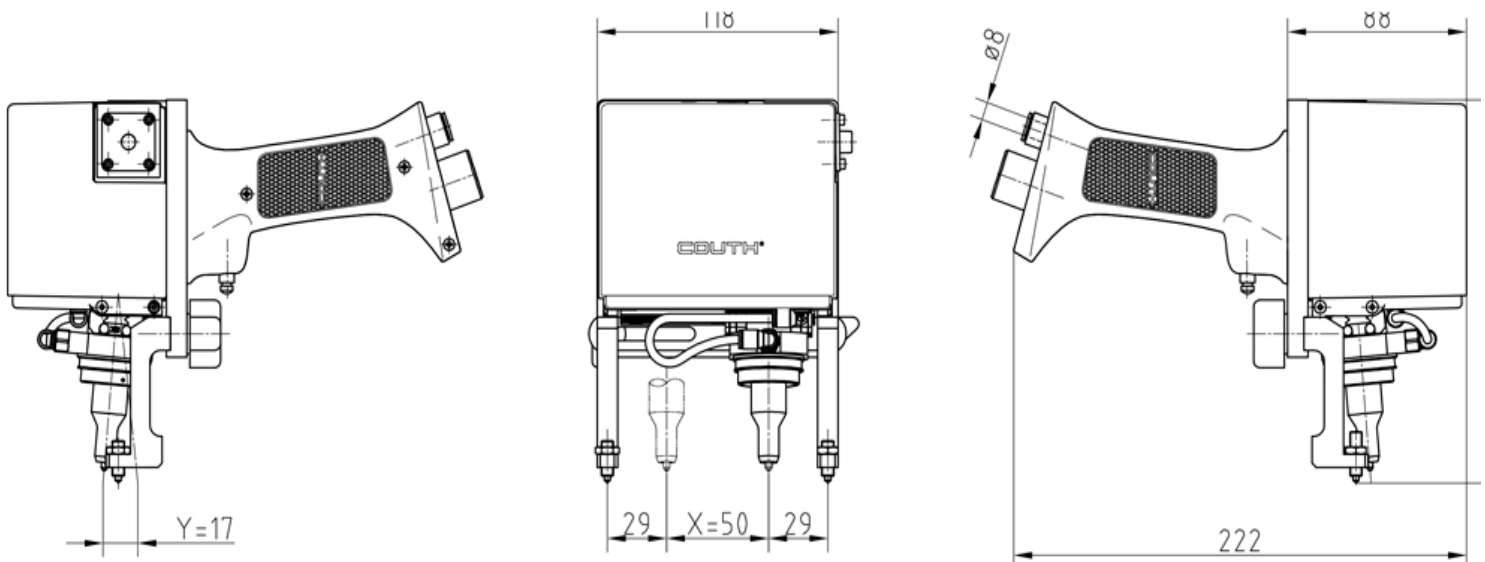


DIMENSIONS

DOT 50X17 P



DOT 50X17 P WITH WINDOW KIT (CODE 2274550)



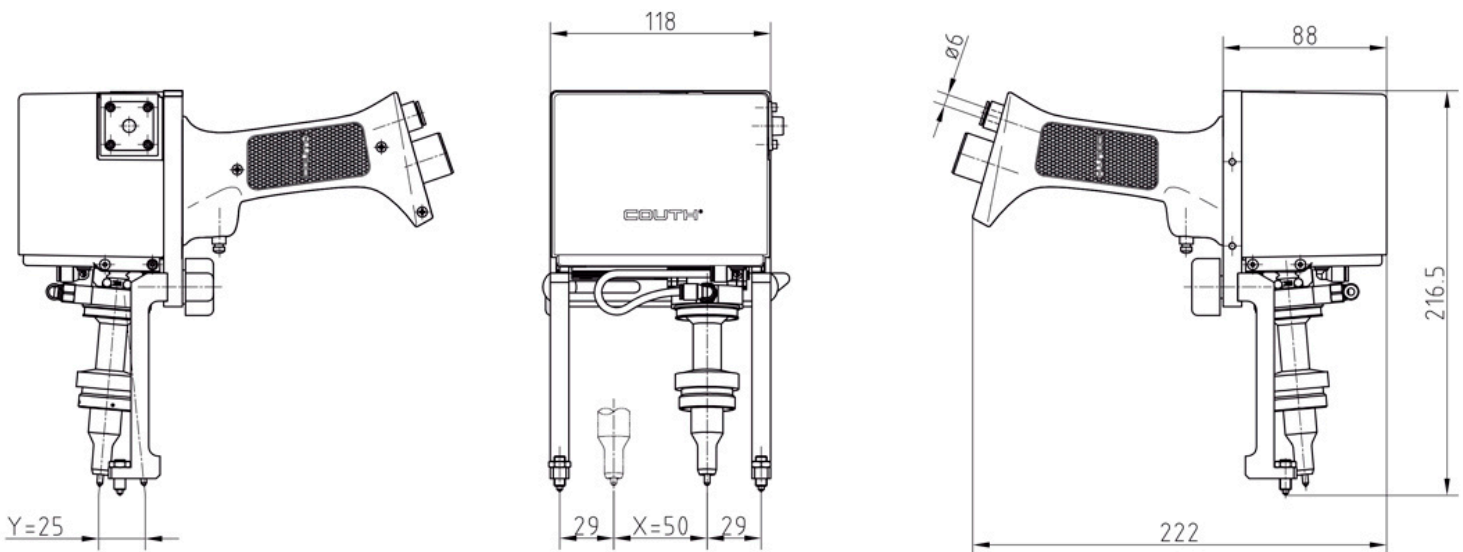
DOT 50x25 P SUPERFAST

PORTABLE · DOT PEEN MARKING



DIMENSIONS

DOT 50X25 P



DOT 50X25 P WITH WINDOW KIT (CODE 2274550)

