



Thermo Scientific Versa Frame 8120
Chain Checkweigher

- Cartons, cans, bottles & rigid packages
- Very high rates and accuracy
- Rugged and reliable design

unique chain weighframe design suitable for a broad range of applications

The Thermo Scientific Versa 8120 checkweigher offers a rugged design that is easy to clean and maintain. The simplified design enables high rates and accuracy weighing in many applications.

Specifications

Accuracy (typical)	±0.5 grams, micropitch chain; ±1.0 grams, nylatron chain; ±1.5 grams, stainless-steel chain (product/speed dependent) 2 standard deviations from mean
Line Speed	6.1 m to 167.6 m (20 ft to 550 ft) per minute
Throughput	Up to 700 packages per minute
Product Weights	Up to 11 kg (25 lb) per product
Frame Construction	304 stainless steel
Drive Motor	Splash-proof standard; Sealed washdown optional
Weigh Cell	Splash-proof standard; Hermetically sealed optional
Operating Temperature	-10°C to +40°C (+14°F to +104°F); 0% to 95% humidity
Electrical	115/220VAC +10%, 50/60 Hz, single phase
Weighframe Dimensions	Length: 609.6 mm (24 in) / 762.0 mm (30 in) / 914.4 mm (36 in) Height: 660.4 mm to 1066.8 mm (26 in to 42 in) adjustable in 50.8-mm (2-in) increments Width: 494.8 mm (19.48 in)
Maximum Product Specifications	Length: 532 mm (21 in) rate dependent Height: Product-stability dependent Width: 355 mm (14 in) rigidity dependent

Options	
Transport Media	Nylatron chain for light products; Stainless steel chain for heavy products; Micropitch chain for high accuracy
Infeed/Outfeed Conveyors	A complete selection of conveyors is available depending on application requirements – consult factory
Side Belt Transfer Conveyors	A complete selection of transfer belts are available depending on application requirements – consult factory for details
Washdown Option	Hermetically-sealed loadcell and waterproof motor
Emergency Stop	Mushroom push-button

The checkweigher's rugged chain design is easy to clean and maintain. In addition, the frame's simplified design and minimal number of moving parts greatly reduces vibration, allowing for superior weighing accuracy and performance.

State-of-the-art Electronics

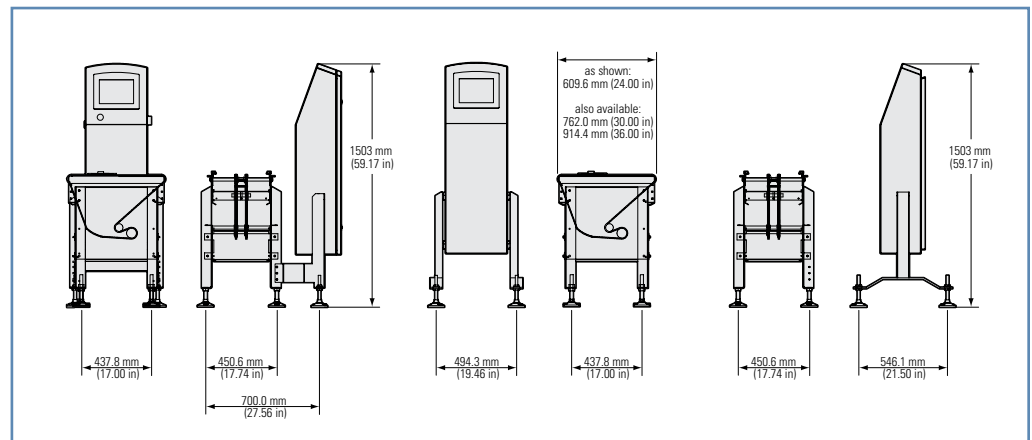
- Automatic setup in just minutes
- Contextual help screens to guide operation
- Expanded statistics and graphs for detailed views of production line performance
- 100 standard product memories, expandable to 400 and searchable by product number, name or code
- Large, high-visibility weight display supplemented by a bright "good/bad" or "go/no go" indicator.

Upgrade of Controller and Software on Existing frames

If your existing weigh conveyor Frame FR8120 (formerly sold under the Ramsey brand name) is in good condition and you are interested in expanding its life, we provide a Versa Conversion Kit to replace your present controller.

Customized Options

Available with local mount or remote electronics, the Thermo Scientific™ Versa FR8120 can also be equipped with integrated or free-standing infeed and/or outfeed conveyors. The Versa FR8120's infeed conveyor can be fitted with an optional helix system for cans. A variety of reject systems, such as air jets, pushers, swing gates, or carrier rejects, can be added. A washdown option is available for harsh environments and includes a hermetically sealed loadcell and waterproof drive motor. For increased functionality, an optional Thermo Scientific APEX metal detector may be seamlessly integrated to provide a complete weight control and contaminant inspection station.



thermoscientific.com/versa

© 2013 Thermo Fisher Scientific Inc. All rights reserved. All trademarks are the property of Thermo Fisher Scientific Inc. and its subsidiaries. Specifications, terms and pricing are subject to change. Not all products are available in all countries. Please consult your local sales representative for details.

US and Canada 800 227 8891
Asia/Australia 800 445 3503
Mexico +52 55 5639 2184
Argentina +54 11 4334 3827
Chile +56 22 2378 5080

India +91 22 4157 8800
Italy +39 0 5217 8861
France +33 (0) 16 092 4800
Germany +49 (0) 20 882 4930
Spain +34 (0) 91 484 5965

UK +44 (0) 17 8882 0300
Netherlands +31 (0) 76 579 5555
South Africa +27 11 776 0000
China 800 810 5118

Email: sales.packaging.us@thermofisher.com

Literature Code PI.0064.0713

Thermo
 SCIENTIFIC

Part of Thermo Fisher Scientific