

LABEL PRINTER APPLICATOR

Videojet P3400 Label Printer Applicator

- Easy to integrate
- Withstands harsh industrial environments
- Modular system provides low cost and variety of features



Identify with Videojet, world leaders in coding and marking solutions.
For more information please call +44 (0)870 240 5542,
or visit our website - www.videojet.co.uk

The Videojet P3400 label printer applicator provides a comprehensive solution for all automatic print and apply labelling requirements. The modular design allows you to select the applications module that meets your needs, giving you a customisable off-the shelf solution.

Air Jet Module

A vacuum box is used to hold the printed label until the product is in the application position. The air jets are used to blow the label onto the target product, providing a non-contact method of applying labels at high speed.

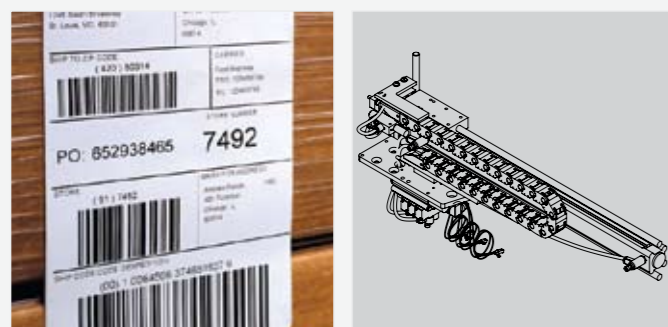


Basic Tamp Module

In this low cost Basic Tamp assembly, a vacuum pad is used to hold the printed label until the product is in the application position. The tamp pad is moved from the home position by an air cylinder until the tamp pad touches the product, applying the label. Available in 50, 160 and 300mm (2-inch, 6-inch and 12-inch) lengths.

Tamp Jet Module

The tamp jet module works the same as the standard tamp, but has the added benefit of blowing the labels onto the product and a standard airsave feature ensuring lower operating costs.



Two Panel/Two Label Module

This module combines the standard tamp with a swing arm module to apply two labels on adjacent sides of the target product.

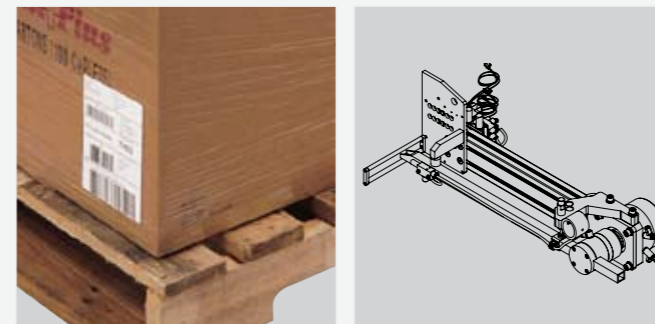
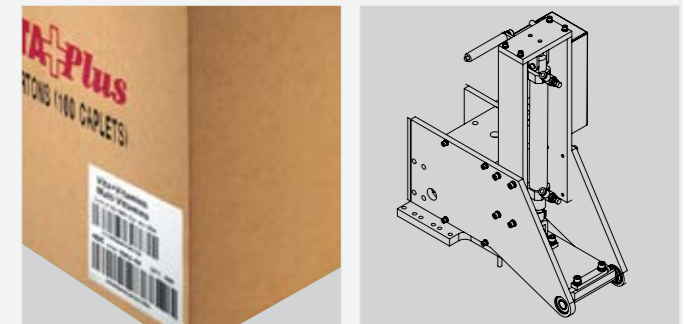


Heavy Duty Tamp Module

Ideally suited for pallet applications or variable height products where the product height variation is greater than 300mm (12-inches), the heavy duty tamp module is available in 500mm (20-inches) and 800mm (32 - inches) lengths.

Swing Arm Module

The swing arm module is designed to apply labels to either the leading or trailing edge of a target product. The application method is similar to tamp, however instead of a linear movement from the air cylinder, the arm is moved on a pivot to apply the label 90 degrees from the conveyor line. Maximum reach is 300mm (12-inches).



Heavy Duty Swing Arm Module

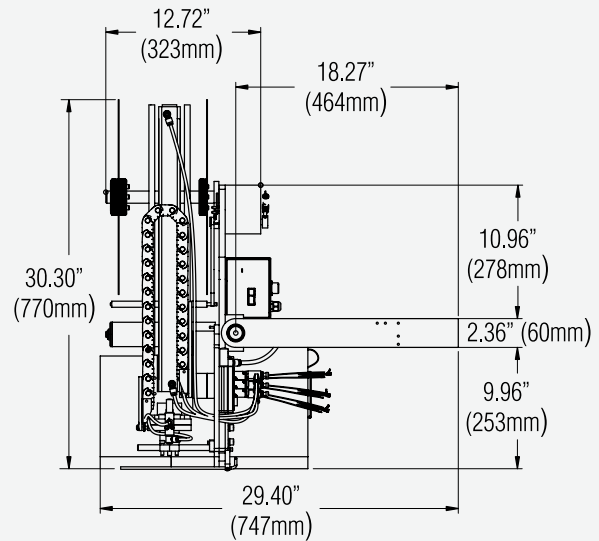
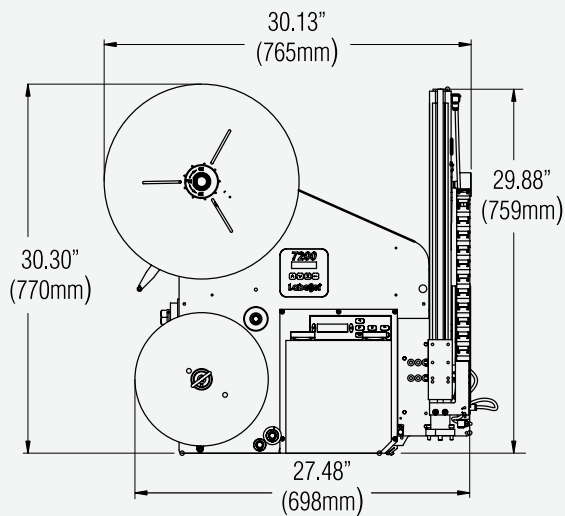
This module operates in the same way as the standard swing arm. Designed to be adjusted between 300mm (12-inches) and 600mm (24-inches), it is ideally suited for pallet labelling applications.

Corner Wrap Module

This application module is designed to apply around the leading corner of the target product and has an integrated secondary roller, ensuring full adhesion around the corner and side of the product. Minimum label size is 50mm x 154mm (2 x 6 inches) and maximum size is 154mm x 300mm (6 x 12 inches).



VIDEOJET P3400 Label Printer Applicator



Print Specifications

Standard Features:

- Compatible with Sato, Zebra, Datamax, Novex OEM thermal transfer and RFID print engines User configurable inputs and outputs Multiple label configuration memory Optical low label sensor Ethernet connectivity for set-up, control and status monitoring Automatic label placement control for variable height products Shaft encoder input for variable speed conveyors

Options:

- A complete range of application modules to meet all your labelling requirements Label on pad sensor Low pressure sensor Tamp home sensor Tamp extended sensor 16" (400mm) Unwind

Electrical Requirements:

- 115/220/240 Vac 50/60Hz single phase at up to 300W max

Weight:

- Approx. 77.4 lbs. (35 kg), dependent on machine configuration

Compressed Air

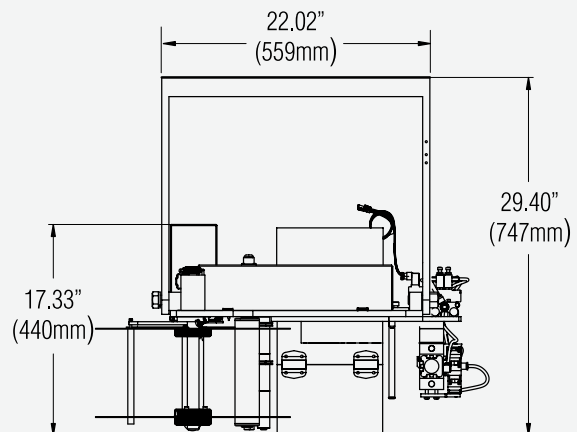
- Clean, dry air at 5.6 bar consumption between 5.3 to 127.2 litres per minute (5 litres to 120 litres/min.), dependent upon application method and rate

Focusing

- Precision lens system Focal length 64/ 95/ 127/ 190/ 254 mm (2.5/ 3.75/ 5/ 7.5/ 10"), options

Interfaces:

- Ethernet, RS 232, parallel USB wireless options available



Complete Customer Care

At Videojet we offer you a world leading after sales service. You have the opportunity to take maximum advantage of the full Videojet bundle of products and services to obtain superior product marking and coding with maximum equipment uptime. Our families of green, environmentally friendly fluids, have been helping customers meet and exceed their expectations and objectives for years. We can also provide inks with fewer or no volatile organic compounds (VOCs) enforcing our commitment to a greener code.



© 2008 Videojet Technologies Inc. – All rights reserved. Videojet Technologies Inc.'s policy is one of continued improvement. We reserve the right to alter design and/or specifications without notice. Videojet, and TotalSource are registered trademarks and Connector is a trademark of Videojet Technologies Inc. CompactFlash is a registered trademark of the CompactFlash Association.



Identify with Videojet, world leaders in coding and marking solutions.

For more information please call +44 (0)870 240 5542,

or visit our website – www.videojet.co.uk

